



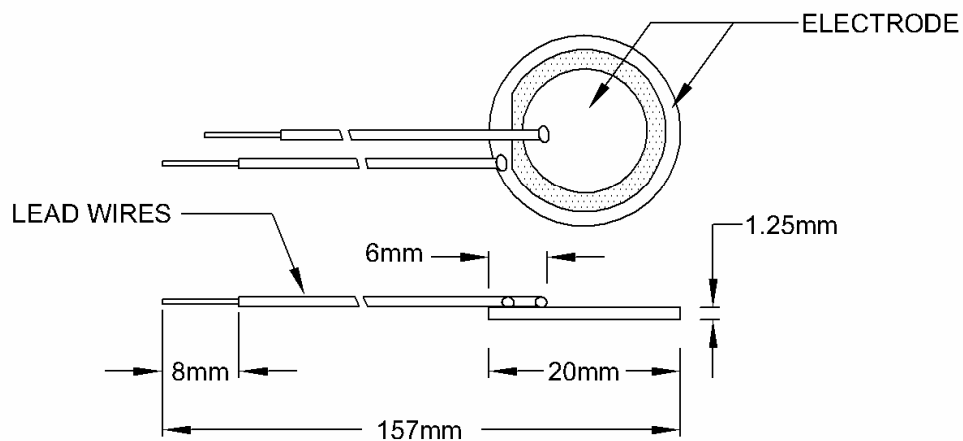
HONG KONG PIEZO CO. LTD.
香港功能陶瓷有限公司

Specification

Atomizing Chips

Part No: HKP-2017NW

Unit: mm



- | | |
|-----------------------|----------------------------|
| 1. Dimension | : $\Phi 20 \times 1.25$ mm |
| 2. Resonant Frequency | : 1700 ± 50 KHz |
| 3. Capacitance | : $1900 \pm 15\%$ pf |
| 4. Resistance | : $\leq 1\Omega$ |
| 5. Fog output | : ≥ 440 ml/hr |
| 6. Life | : ≥ 5000 hr |
| 7. Electrode | : Nickel |