

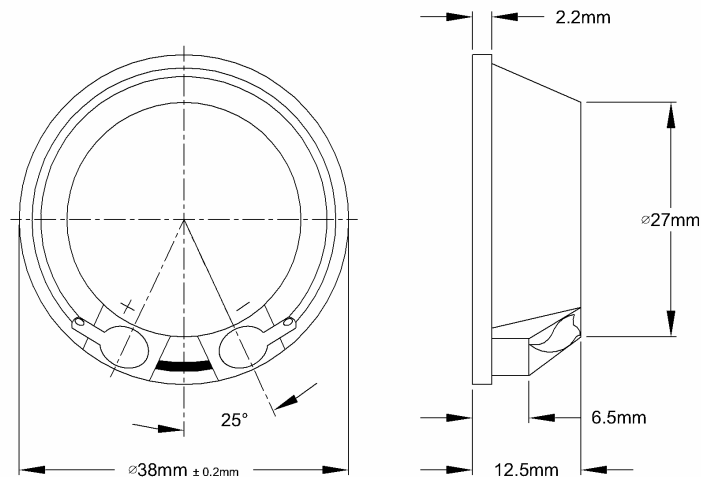


**HONG KONG PIEZO CO. LTD.**  
**香港功能陶瓷有限公司**

## Specification

Piezo Tweeter

Model No: HKP-3822BT



Housing: Plastic Case

Diaphragm: Mylar Cone

No.	Item	Specification
1	Rated Voltage (Vrms)	2.83V
2	Operating Voltage	$\leq 10$
3	Sound Output (dB)	$\geq 90\text{dB}$
4	Resonant Frequency (Hz)	$22000\text{Hz} \pm 1000\text{Hz}$
5	Operating Temperature ( $^\circ\text{C}$ )	$-20^\circ\text{C} \sim +70^\circ\text{C}$
6	Storage Temperature ( $^\circ\text{C}$ )	$-30^\circ\text{C} \sim +80^\circ\text{C}$
7	Net Weight	6.5gm
8	Polarity	When a positive D.C voltage is applied to the terminal nearside. The diaphragm should move to the front.
9	Value applying at 2.83V, 22KHz sine wave 50cm	