



HONG KONG PIEZO CO. LTD.
香港功能陶瓷有限公司

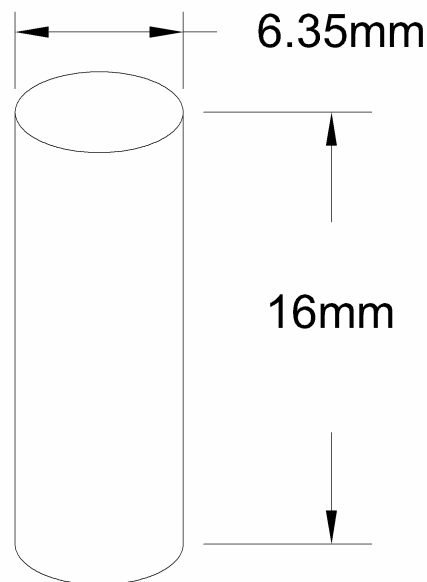
Specification

Piezo Impact Element

Part No: HKP-FI-16635

Unit: mm

Dimension : $\Phi 6.35 \times 16\text{mm}$



Characteristics:

1. Piezoelectric Charge Constant d_{33} : $\geq 525.2 \times 10^{-12} \text{ C/N}$
2. Capacitance : $30.90 \text{ pf} \pm 10\%$
3. Frequency : 35.5 KHz