



HONG KONG PIEZO CO. LTD.
香港功能陶瓷有限公司

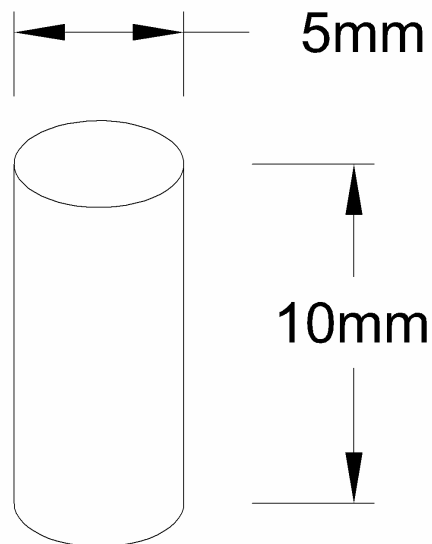
Specification

Piezo Impact Element

Part No: HKP-FI-105(06)

Unit: mm

Dimension: $\Phi 5 \times 10\text{mm}$



Characteristics:

1. Piezoelectric Charge Constant d_{33} : $\geq 362.8 \times 10^{-12}$ C/N
2. Capacitance : 17.38 pf \pm 10%
3. Frequency : 51.9 KHz