



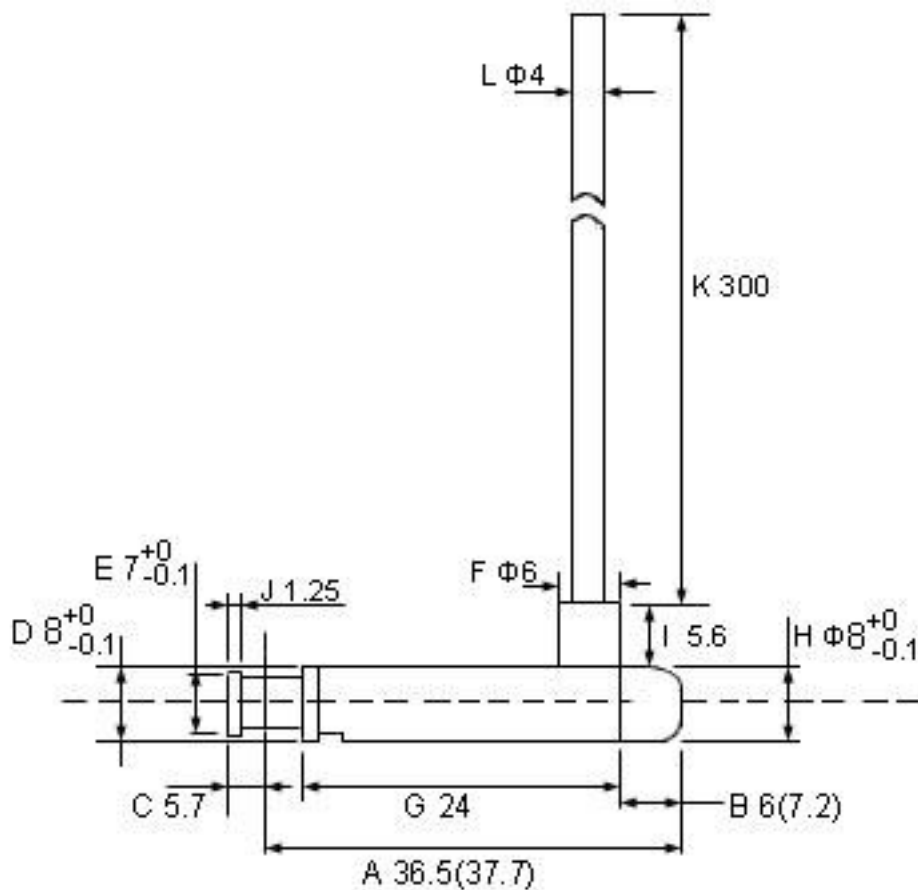
**HONG KONG PIEZO CO. LTD.**  
**香港功能陶瓷有限公司**

## Specification

Piezo Igniter

Part No: HKP-13KV-82-300

Unit: mm



### Characteristic:

1. Output Voltage :  $\geq 13$  KV
2. After 10,000 strokes, output voltage :  $\geq 12$  KV
3. Distance of discharge :  $\geq 4$ mm
4. Operating Force :  $\leq 3$ KG
5. Wire pull force :  $\geq 5$ KG

Flat 15, 9/F, Block A, Veristrong Industrial Centre, 34-36 Au Pui Wan Street, Fo Tan, N.T., Hong Kong.

香港火炭坳背灣街 34-36 號豐盛工業中心 A 座 9 字樓 15 室

Tel: (852) 2694 1029 Fax: (852) 2690 3635

Website: <http://www.piezo.com.hk> Email: [info@hkpiezo.com](mailto:info@hkpiezo.com)