

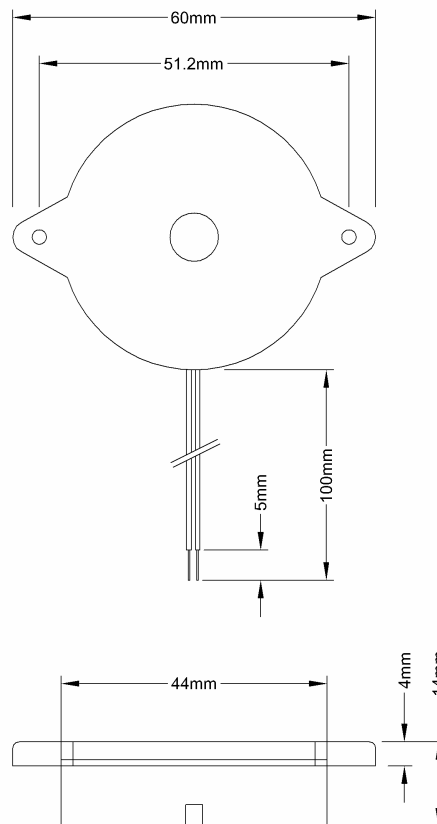


HONG KONG PIEZO CO. LTD.
香港功能陶瓷有限公司

Piezoceramic Buzzers

Model No: HKP-44L-08A

Unit: mm



No.	Item	Specification
1	Dimension	Ø44.0 x H14.0mm
2	Sound Pressure Level	80dB min at 9.0Vp-p Square wave
3	Resonant Frequency	0.8±0.3KHz
4	Capacitance	80nf ± 30%
5	Operating Voltage	30Vp-p max
6	Operating Temperature	-20°C ~+70°C
7	Leads	AWG30# - UL1007