

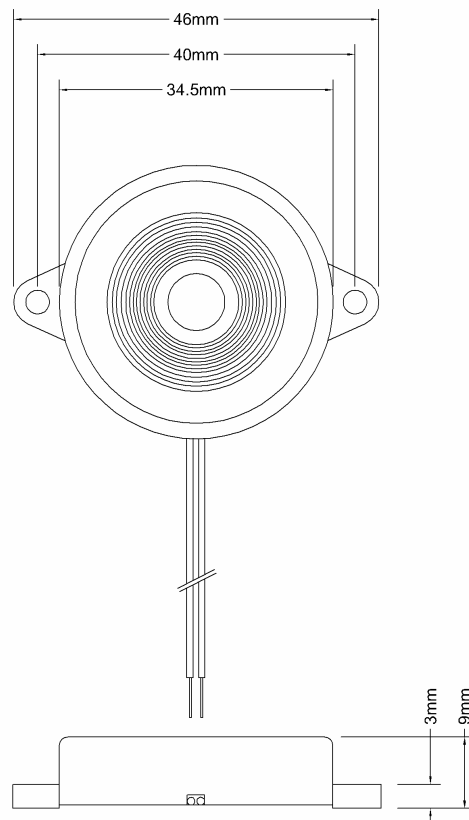


**HONG KONG PIEZO CO. LTD.**  
**香港功能陶瓷有限公司**

## Piezoceramic Buzzers

Model No: HKP-34L-11

Unit: mm



No.	Item	Specification
1	Dimension	Ø34.5 x H9.0mm
2	Sound Pressure Level	85dB min at 5.0Vp-p Square wave
3	Resonant Frequency	1.1±0.3KHz
4	Capacitance	55nf ± 30%
5	Operating Voltage	30Vp-p max
6	Operating Temperature	-20°C ~+70°C
7	Leads	AWG28# - UL1007