

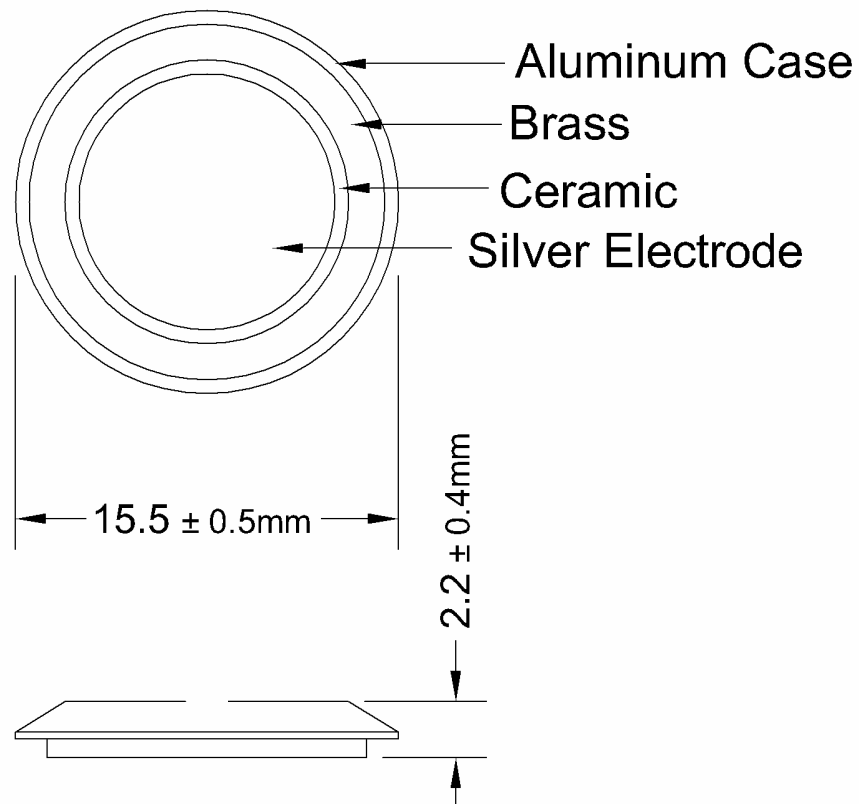


HONG KONG PIEZO CO. LTD.
香港功能陶瓷有限公司

Piezoceramic Buzzers

Model No: HKP-15AL

Unit: mm



No.	Item	Specification
1	Dimension	Ø15.5 x H2.2mm
2	Sound Pressure Level	80dB min at 10cm 3Vrms Sine wave
3	Resonant Frequency	7.0±1.0KHz
4	Capacitance	9nf ± 30%

Flat 15, 9/F, Block A, Veristrong Industrial Centre, 34-36 Au Pui Wan Street, Fo Tan, N.T., Hong Kong.

香港火炭坳背灣街 34-36 號豐盛工業中心 A 座 9 字樓 15 室

Tel: (852) 2694 1029 Fax: (852) 2690 3635

Website: <http://www.piezo.com.hk> Email: info@hkpiezo.com