

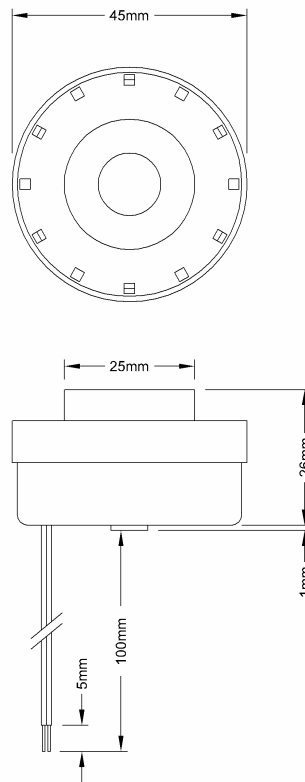


HONG KONG PIEZO CO. LTD.
香港功能陶瓷有限公司

Piezo Indicator

Model No: HKP-45L-29

Unit: mm



No.	Item	Specification
1	Dimension	Ø45 x H26.0mm
2	Sound Pressure Level	105dB min at 30cm/12.0VDC
3	Resonant Frequency	2.9±0.5KHz
4	Operating Voltage	3.0~15.0VDC
5	Tone Nature	Continues
6	Current Consumption	30.0mA max at 12.0VDC
7	Operating Temperature	-20°C ~+70°C
8	Storage Temperature	-30°C ~+80°C
9	Leads	AWG28# - UL1007