

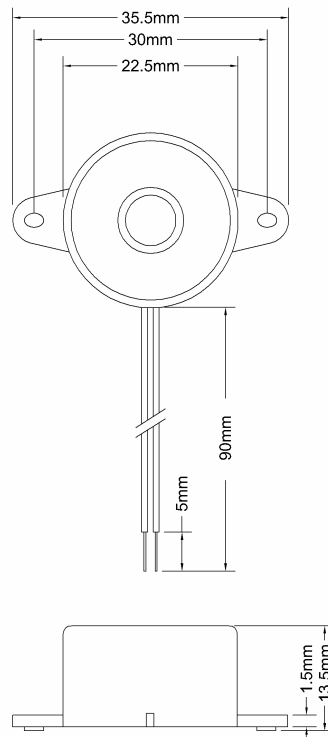


**HONG KONG PIEZO CO. LTD.**  
**香港功能陶瓷有限公司**

## Piezo Indicator

Model No: HKP-23L-33

Unit: mm



No.	Item	Specification
1	Dimension	Ø22.5 x H13.5mm
2	Sound Pressure Level	85dB min at 30cm/12.0VDC
3	Resonant Frequency	3.3±0.5KHz
4	Operating Voltage	3.0~15.0VDC
5	Tone Nature	Continues
6	Current Consumption	20.0mA max at 12.0VDC
7	Operating Temperature	-20°C ~+70°C
8	Storage Temperature	-30°C ~+80°C
9	Leads	AWG26# - UL1007